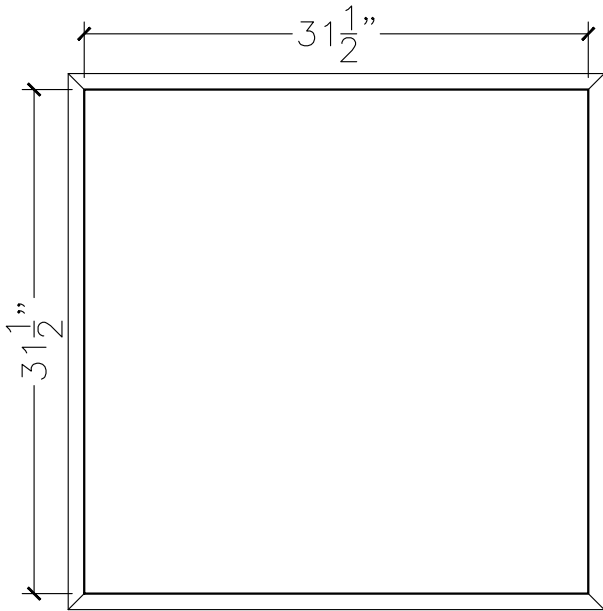
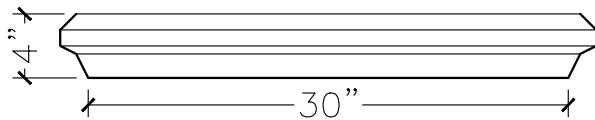


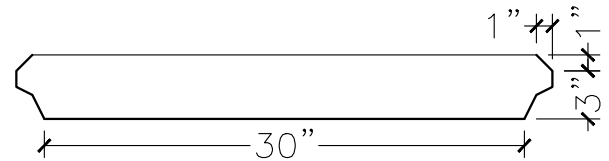
CUSTOMER:	
JOB:	MOLD: CC-359
BAY#: 270-A	STONE COLOR:
DATE:	SCALE: 1"=12"      NEED:



TOP VIEW



FRONT VIEW



SECTION VIEW