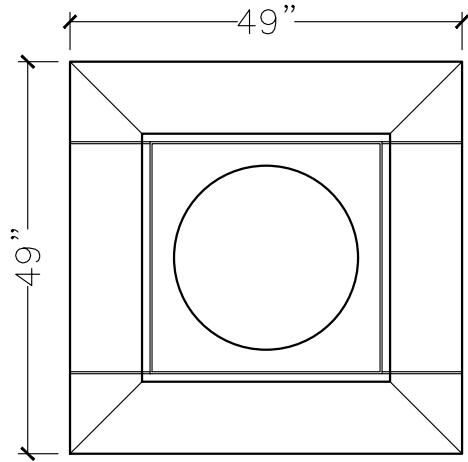
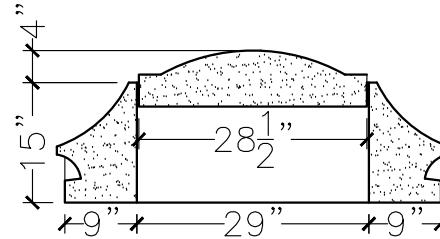


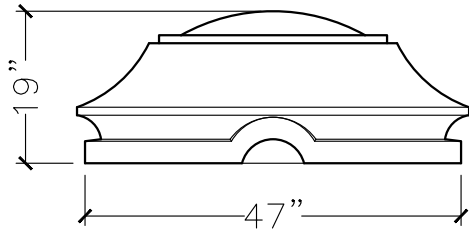
CUSTOMER:	
JOB:	MOLD: CC-338
BAY#: 268-A	STONE COLOR:
DATE:	SCALE: $\frac{1}{2}'' = 12''$ NEED:



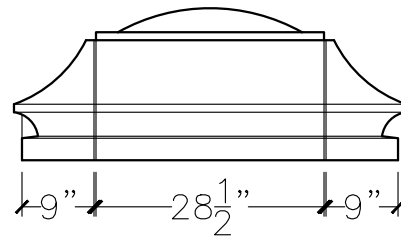
TOP VIEW



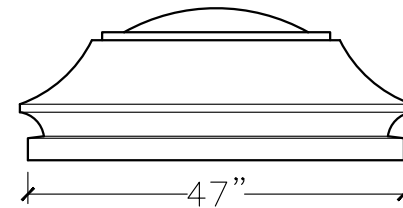
SECTION VIEW



FRONT VIEW



SIDE VIEW



BACK VIEW