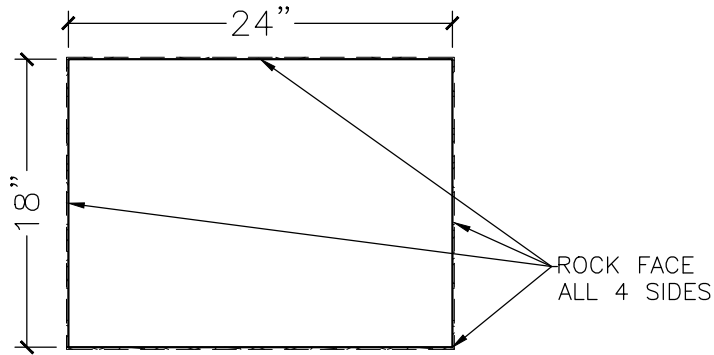
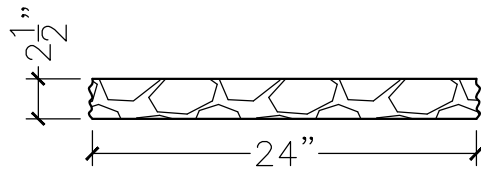


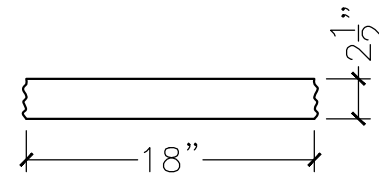
CUSTOMER:	
JOB:	MOLD: CC-316
BAY#: 153-A	STONE COLOR:
DATE: 4-7-2015	SCALE: 1"=12"      NEED:



TOP VIEW



FRONT VIEW



SECTION VIEW