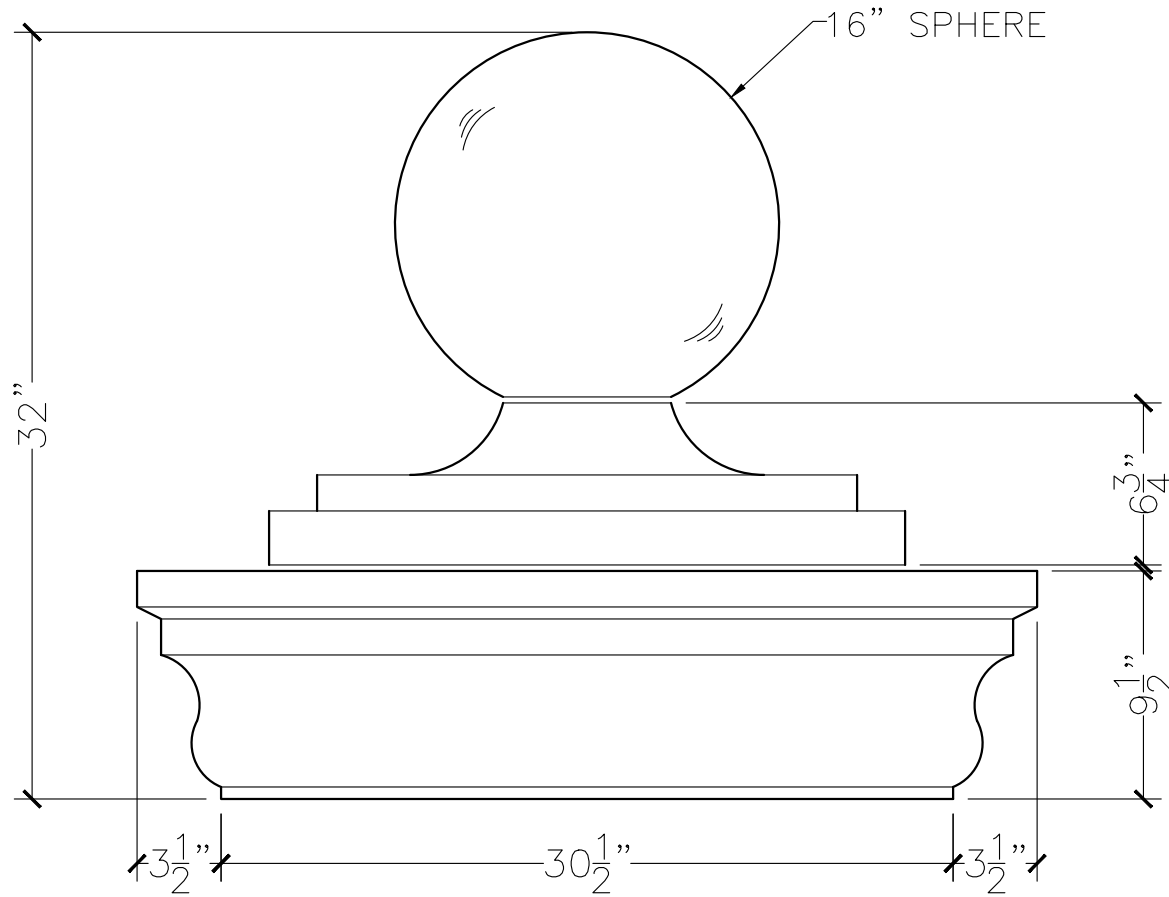


CUSTOMER:	
JOB:	MOLD: CC-220
BAY# 112-A, 146-A	STONE COLOR:
DATE:	SCALE: 1 $\frac{1}{2}$ "=12" NEED:



FRONT VIEW