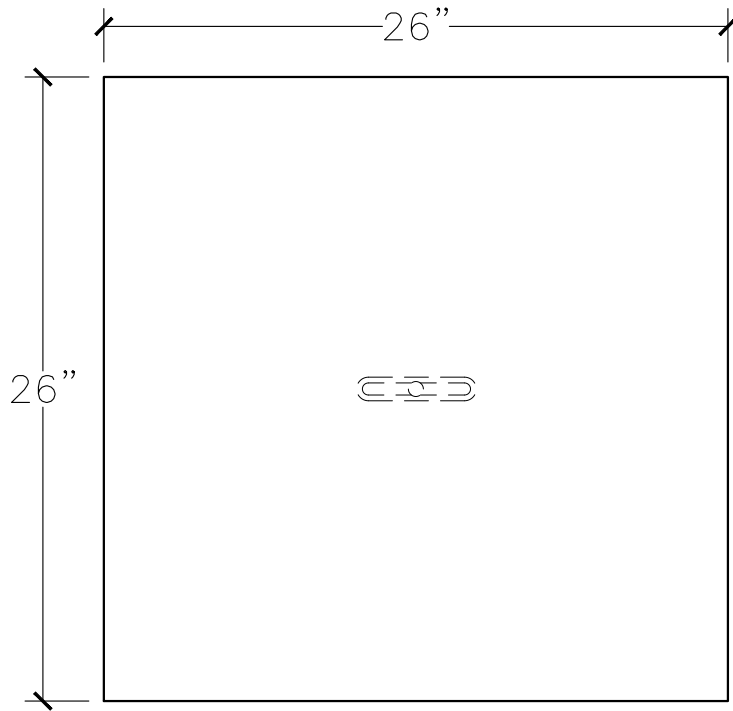
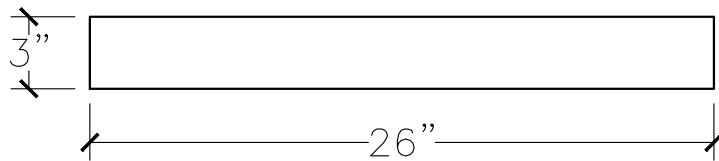


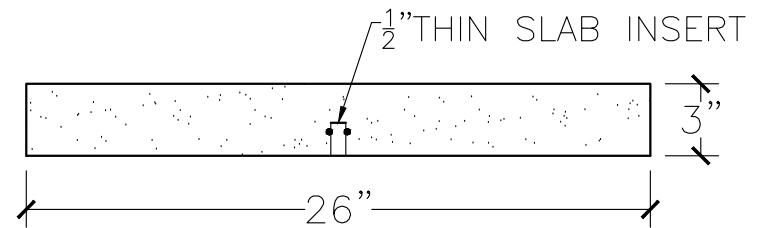
JOB:	MOLD: CC-211
BAY# 95-B	STONE COLOR:
DATE:	SCALE: 1 $\frac{1}{2}$ "=12"      NEED:



TOP VIEW



FRONT VIEW



SECTION VIEW