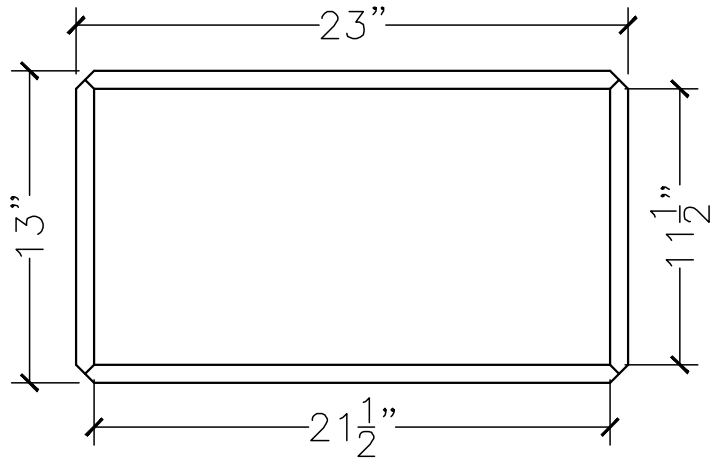
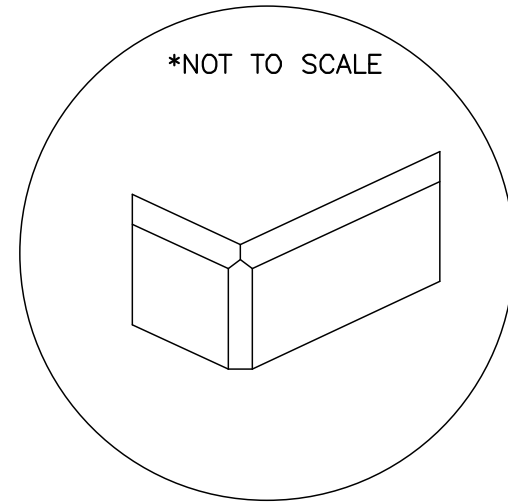


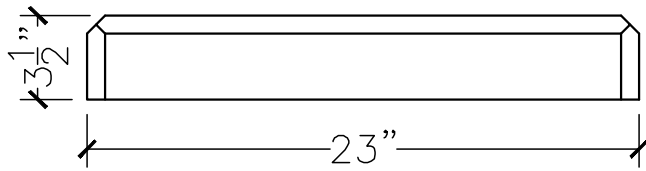
CUSTOMER:	
JOB:	MOLD: CC-194
BAY# 107-B	STONE COLOR:
DATE:	SCALE: 1½"=12" NEED:



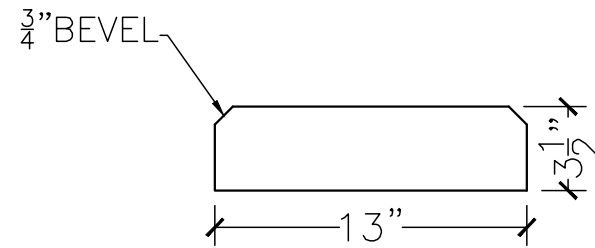
TOP VIEW



CORNER DETAIL



FRONT VIEW



SECTION VIEW