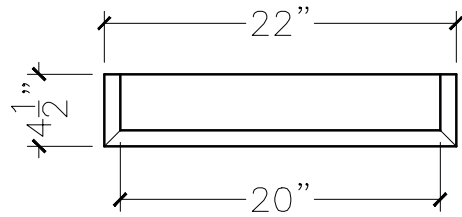
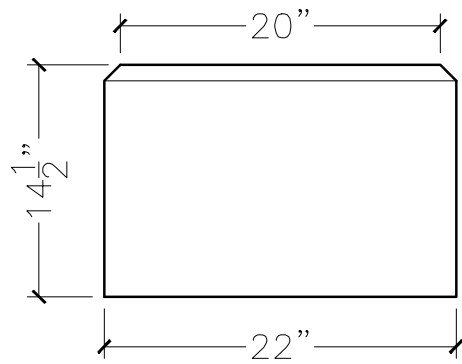


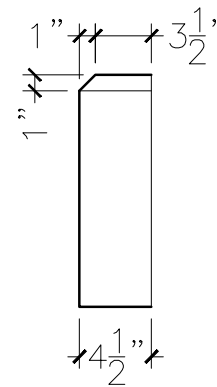
CUSTOMER:	
JOB:	MOLD: CB-35
BAY#: 12-B	STONE COLOR:
DATE:	SCALE: 1"=12" NEED:



TOP VIEW



FRONT VIEW



SIDE VIEW