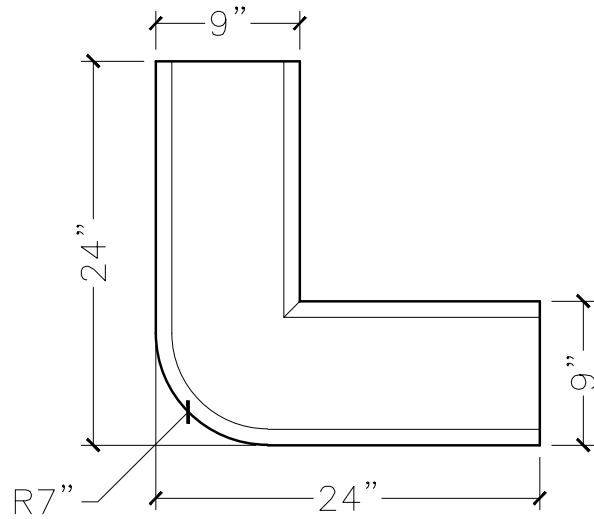
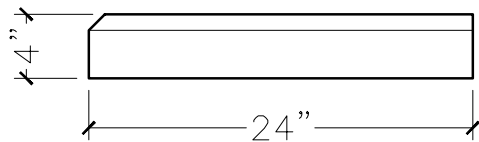


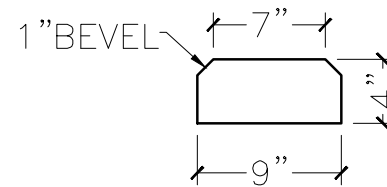
CUSTOMER:	
JOB:	MOLD: BR-1 90°TURN w7"RAD.
BAY#: 48	STONE COLOR:
DATE:	SCALE: 1"=12"      NEED:



TOP VIEW



FRONT VIEW



SECTION VIEW