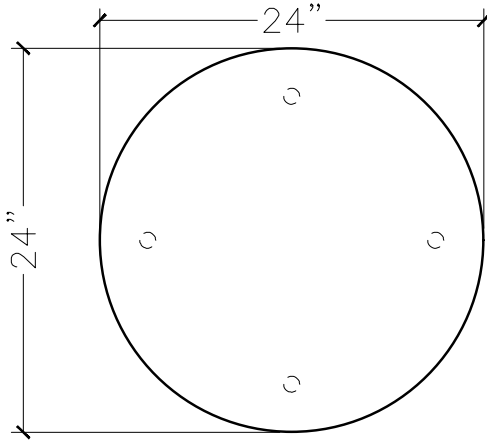
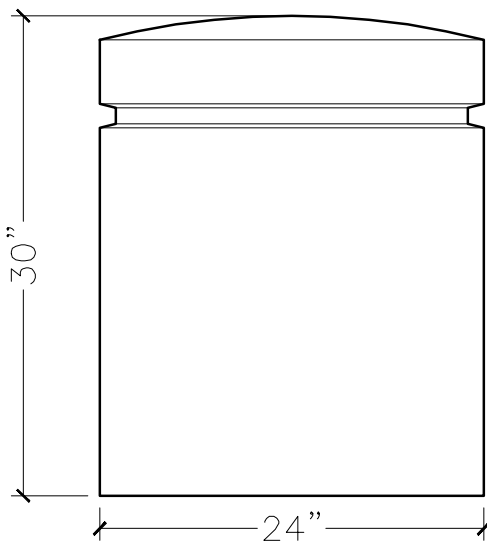


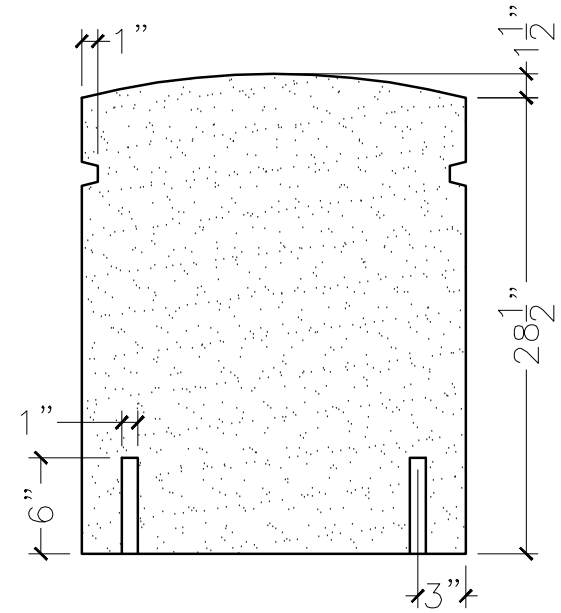
JOB:	MOLD: BOLLARD-5	
BAY#: 149-A	STONE COLOR:	
DATE:	SCALE: 1"=12"	NEED:



TOP VIEW



FRONT VIEW



SECTION VIEW