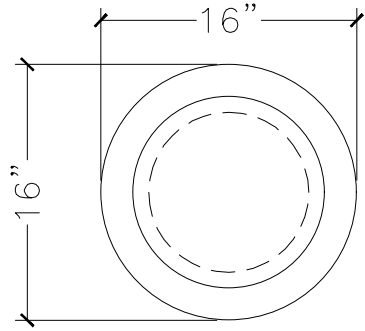
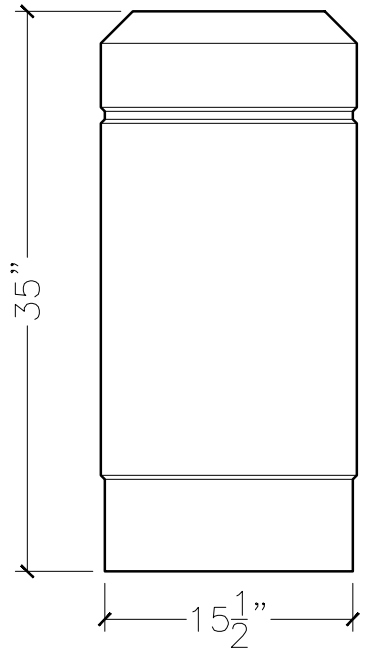


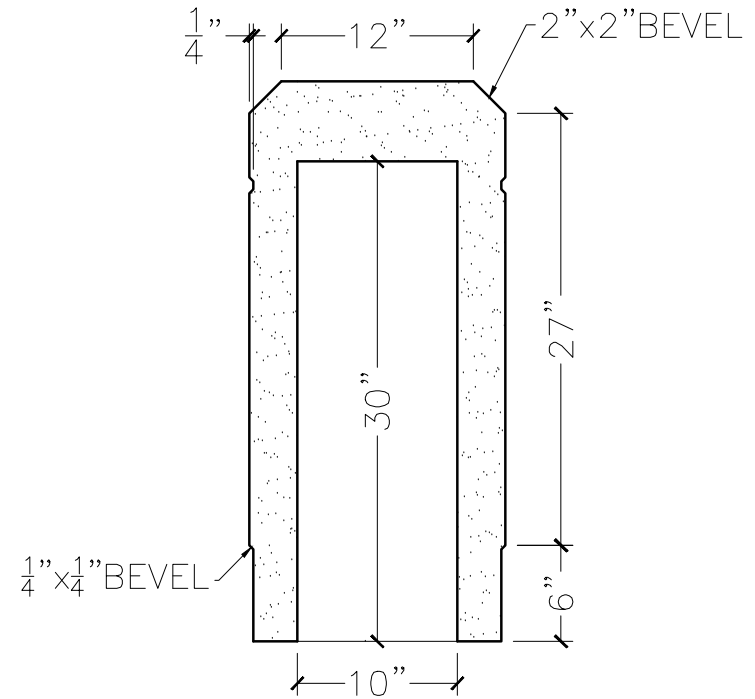
| | | |
|-------------|-----------------|-------|
| JOB: | MOLD: BOLLARD-4 | |
| BAY#: 149-A | STONE COLOR: | |
| DATE: | SCALE: 1"=12" | NEED: |



TOP VIEW



FRONT VIEW



SECTION VIEW