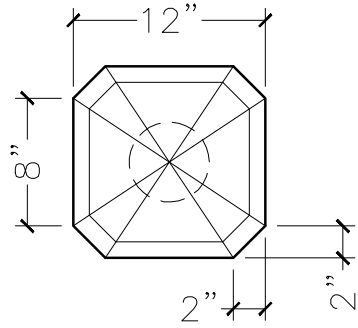
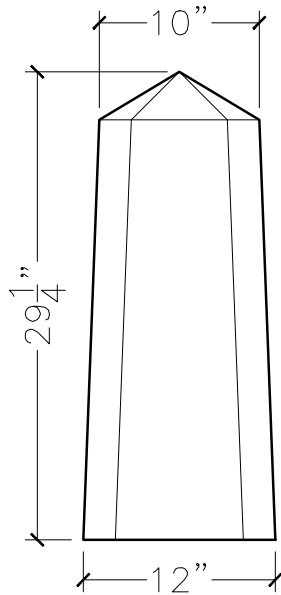


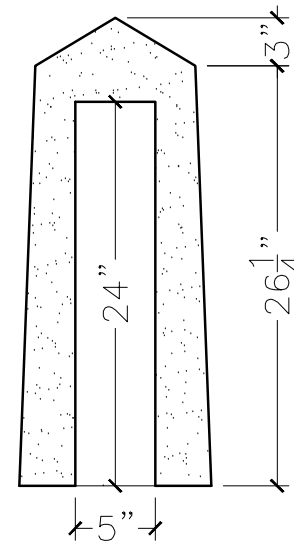
JOB:	MOLD: BOLLARD-11
BAY#: 67-A	STONE COLOR:
DATE:	SCALE: 1"=12"      NEED:



TOP VIEW



FRONT VIEW



SECTION VIEW