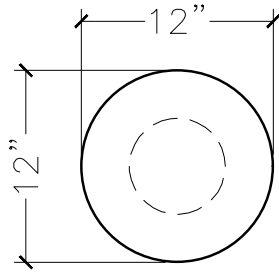
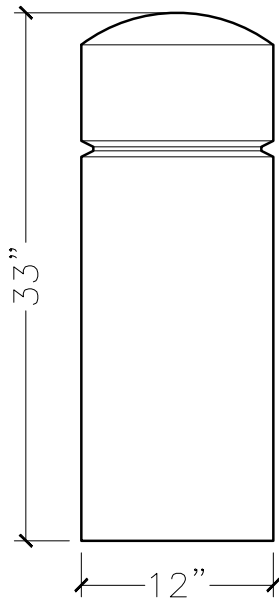


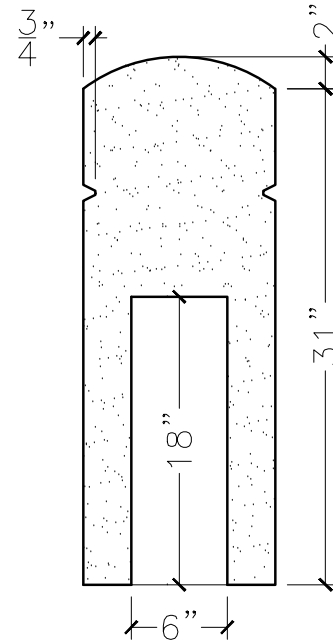
JOB:	MOLD: BOLLARD-10
BAY#: 149-B	STONE COLOR:
DATE:	SCALE: 1"=12" NEED:



TOP VIEW



FRONT VIEW



SECTION VIEW