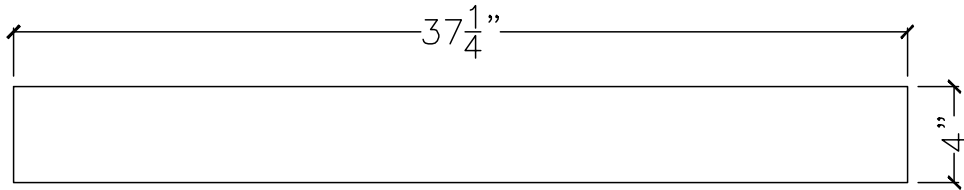
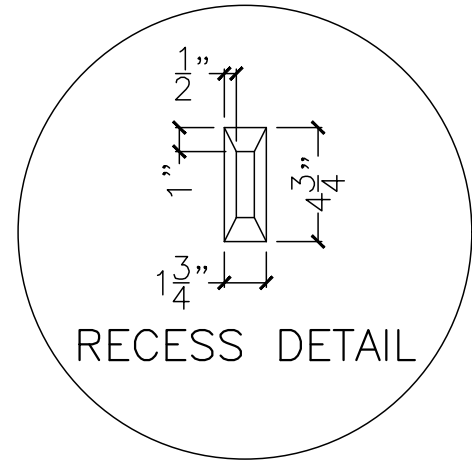


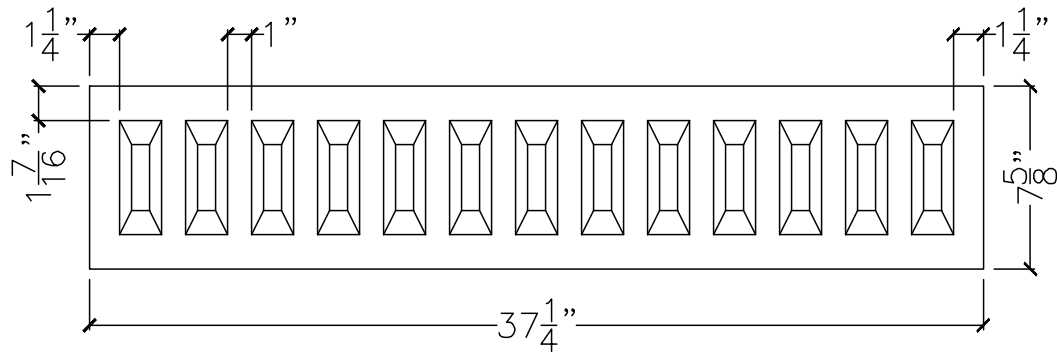
CUSTOMER:	
JOB:	MOLD: BC-172 37 $\frac{1}{4}$ " D.R. DENTIL
BAY#: 38-A	STONE COLOR:
DATE:	SCALE: 1 $\frac{1}{2}$ " = 12" NEED:



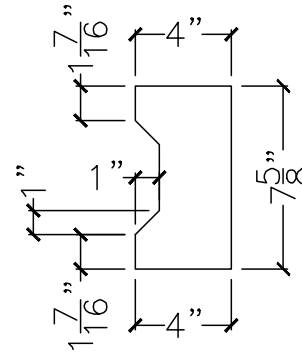
TOP VIEW



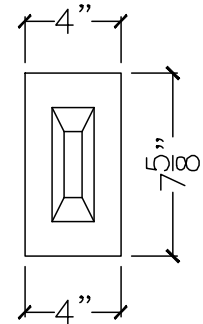
RECESS DETAIL



FRONT VIEW



SECTION VIEW



END VIEW