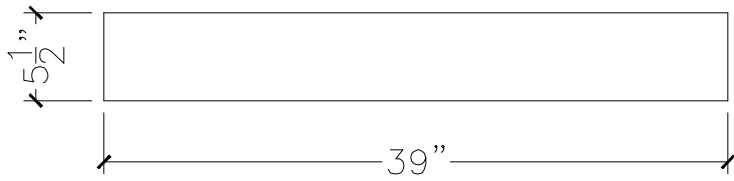
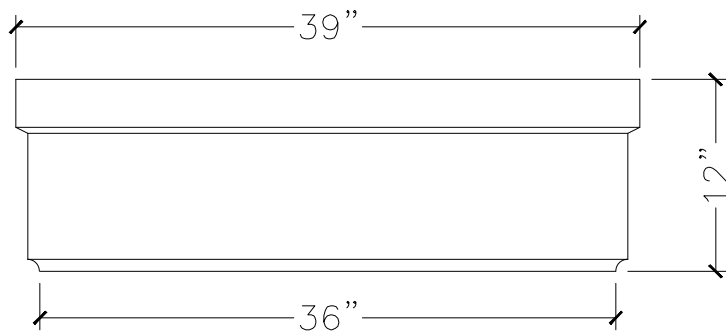


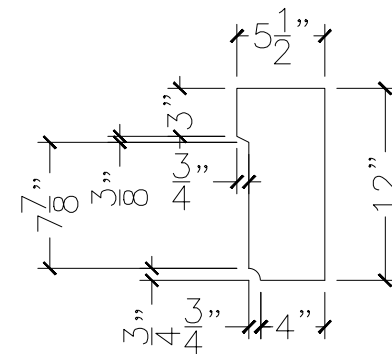
CUSTOMER:	
JOB:	MOLD: BC-159 36" D.R.
BAY#: 32-B	STONE COLOR:
DATE:	SCALE: 1"=12" NEED:



TOP VIEW



FRONT VIEW



SECTION VIEW