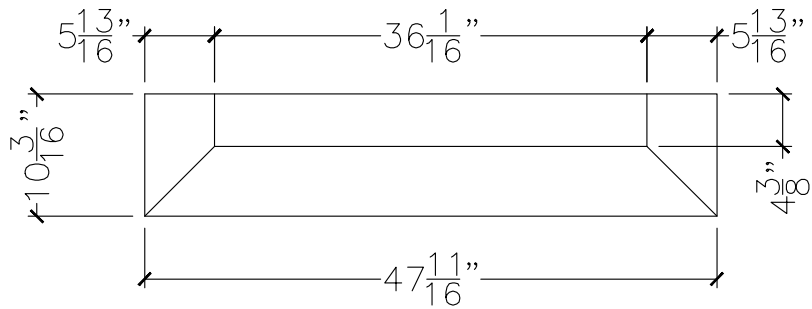
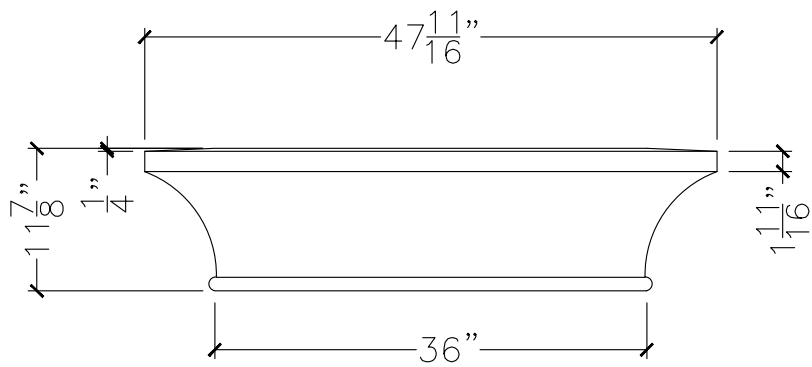


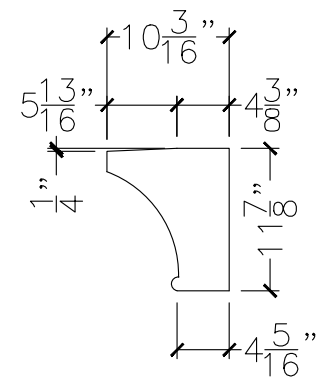
| | |
|-------------|-------------------------------------|
| CUSTOMER: | |
| JOB: | MOLD: BC-150 DBL.RETURN |
| BAY#: 180-B | STONE COLOR: |
| DATE: | SCALE: $\frac{3}{4}'' = 12''$ NEED: |



TOP VIEW



FRONT VIEW



SECTION VIEW