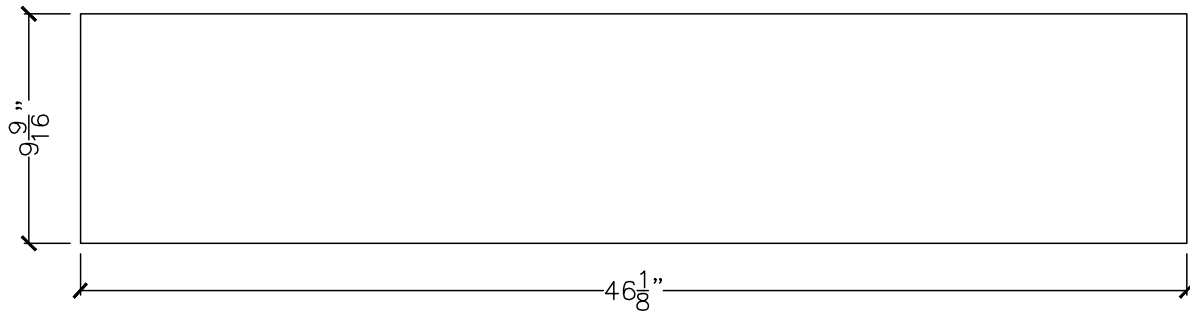
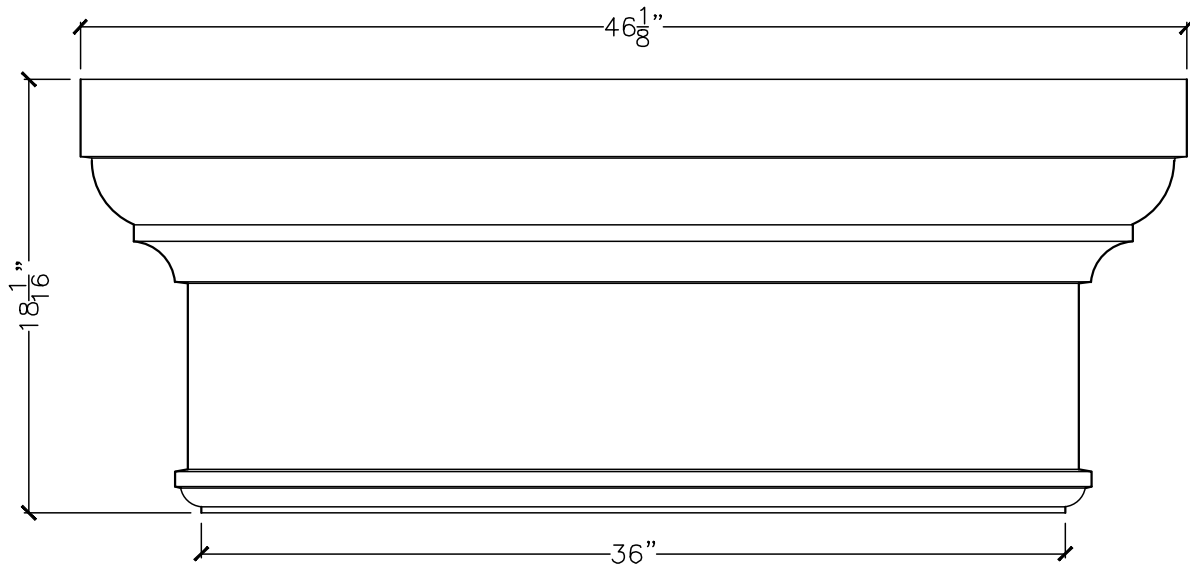


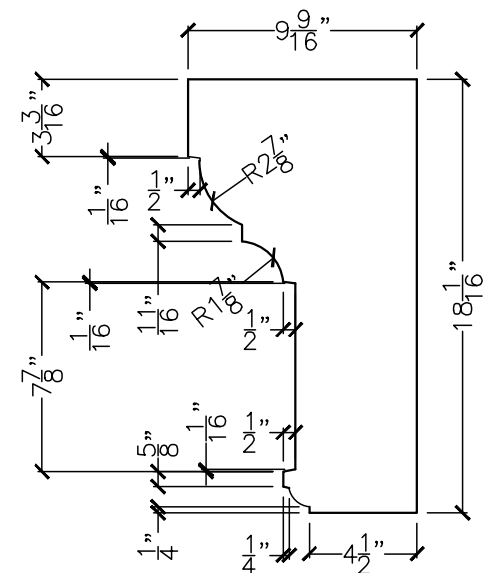
CUSTOMER:	
JOB:	MOLD: BC-143 36" DBL.RET.
BAY#: 176-B	STONE COLOR:
DATE:	SCALE: 1/2" = 12" NEED:



TOP VIEW



FRONT VIEW



SECTION VIEW