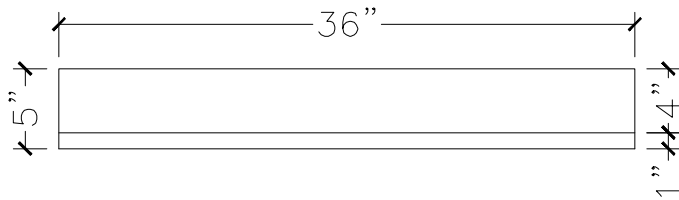
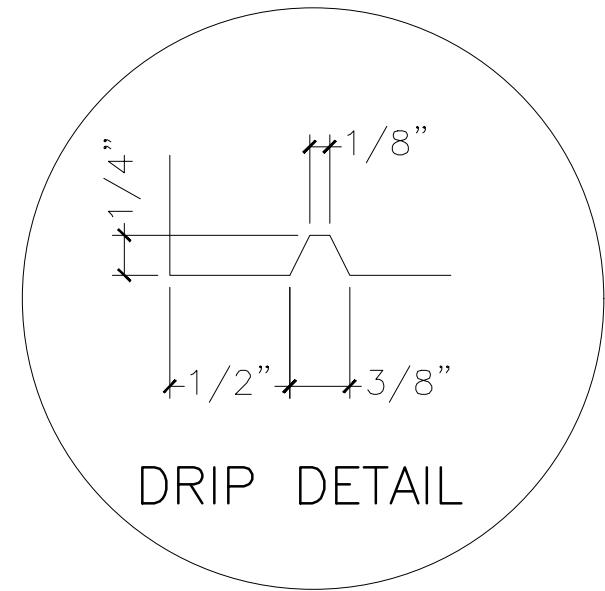


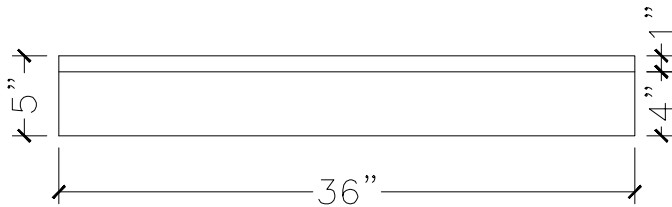
CUSTOMER:	
JOB:	MOLD: BC-119 36"STRAIGHT
BAY#: 9-A	STONE COLOR:
DATE:	SCALE: 1"=12"      NEED:



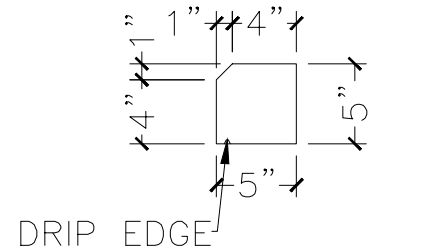
TOP VIEW



DRIP DETAIL



FRONT VIEW



DRIP EDGE  
SECTION VIEW