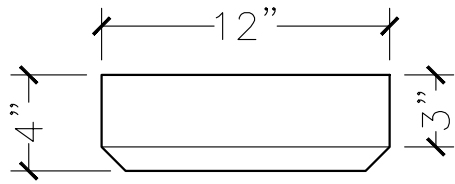
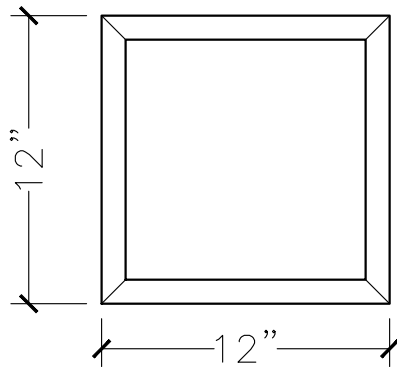


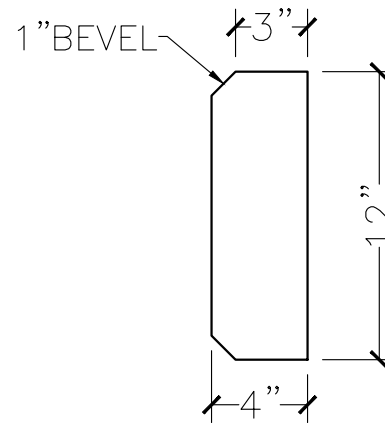
| | |
|-----------|--------------------------------------|
| CUSTOMER: | |
| JOB: | MOLD: BB-65 |
| BAY# 92 | STONE COLOR: |
| DATE: | SCALE: $1\frac{1}{2}'' = 12''$ NEED: |



TOP VIEW



FRONT VIEW



SECTION VIEW