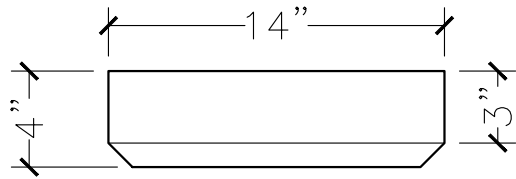
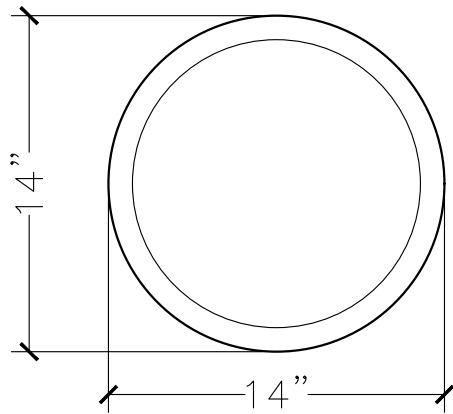


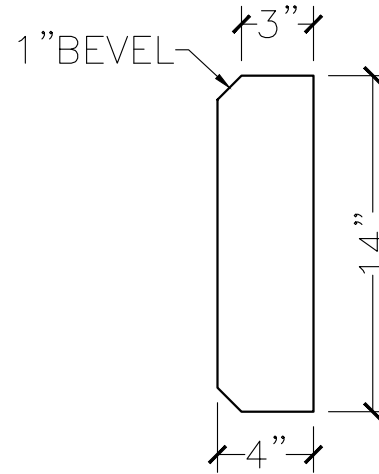
| | |
|-----------|--------------------------------|
| CUSTOMER: | |
| JOB: | MOLD: BB-33 |
| BAY# 86 | STONE COLOR: |
| DATE: | SCALE: 1 1/2" = 12" NEED: |



TOP VIEW



FRONT VIEW



SECTION VIEW