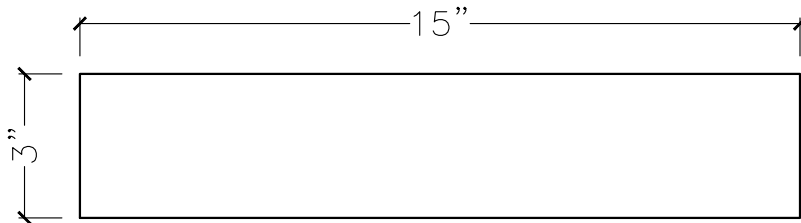
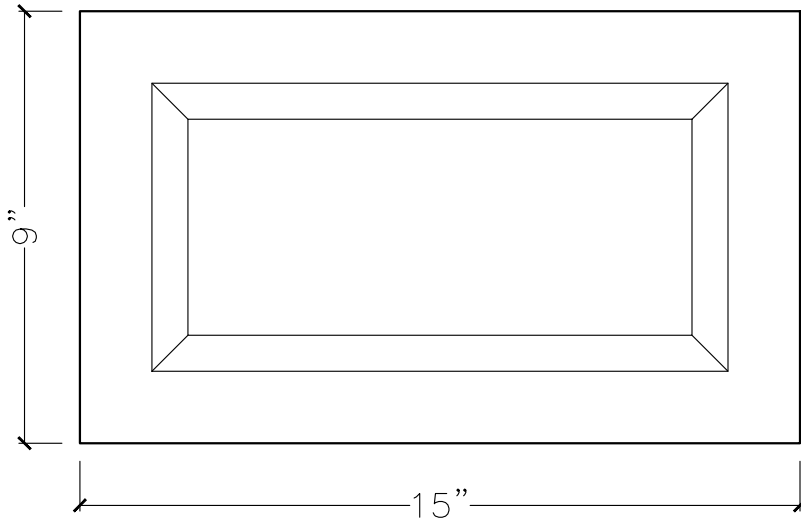


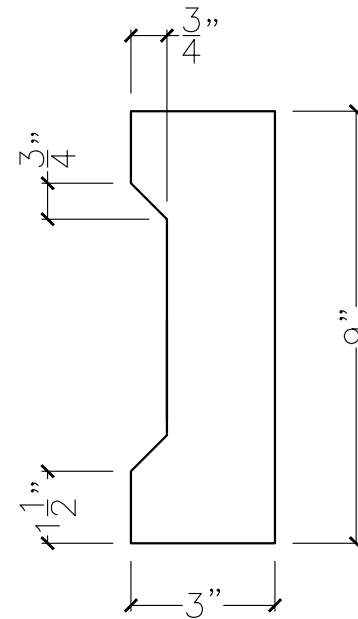
|           |                          |
|-----------|--------------------------|
| CUSTOMER: |                          |
| JOB:      | MOLD: AB-4               |
| BAY#: 176 | STONE COLOR:             |
| DATE:     | SCALE: 3"=12"      NEED: |



TOP VIEW



FRONT VIEW



SECTION VIEW