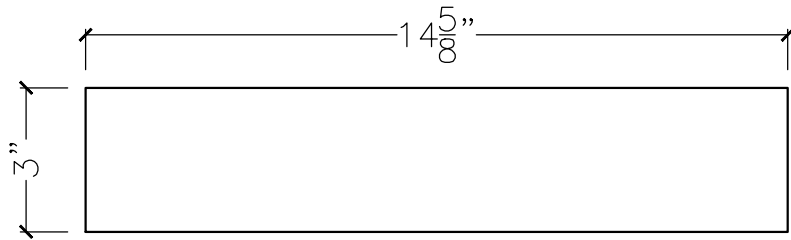
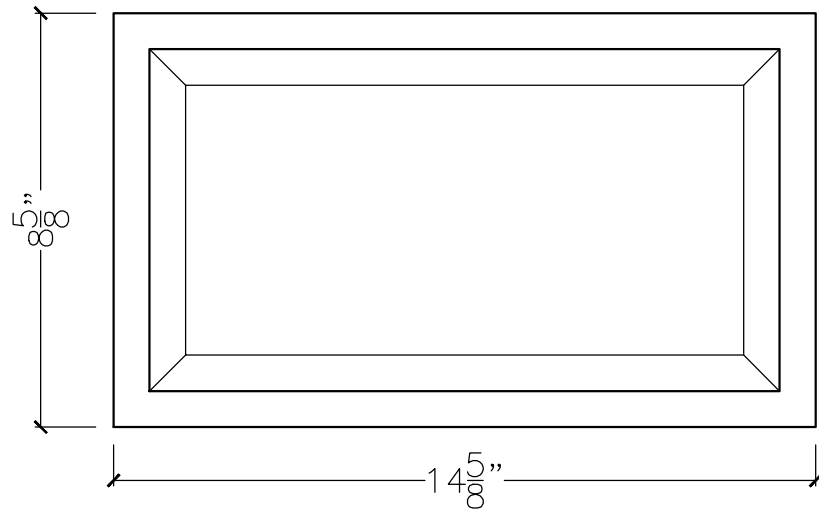


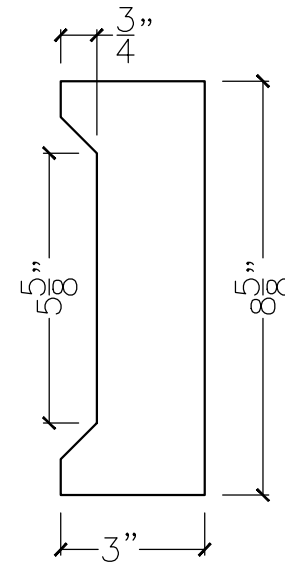
CUSTOMER:	
JOB:	MOLD: AB-29
BAY#: 176	STONE COLOR:
DATE:	SCALE: 3"=12"      NEED:



TOP VIEW



FRONT VIEW



SECTION VIEW