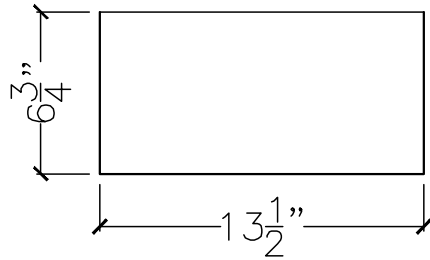
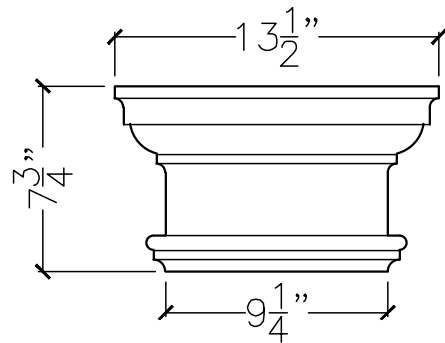


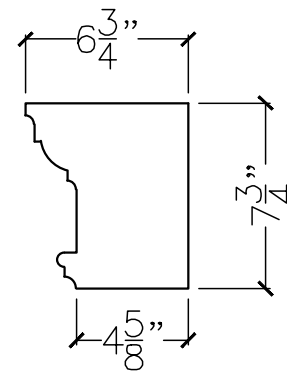
CUSTOMER:	
JOB:	MOLD: $9\frac{1}{4}$ " DIA. TUSCAN CAPITAL
BAY# 64-B	STONE COLOR:
DATE:	SCALE: $1\frac{1}{2}$ " = 12" NEED:



TOP VIEW



FRONT VIEW



SECTION VIEW