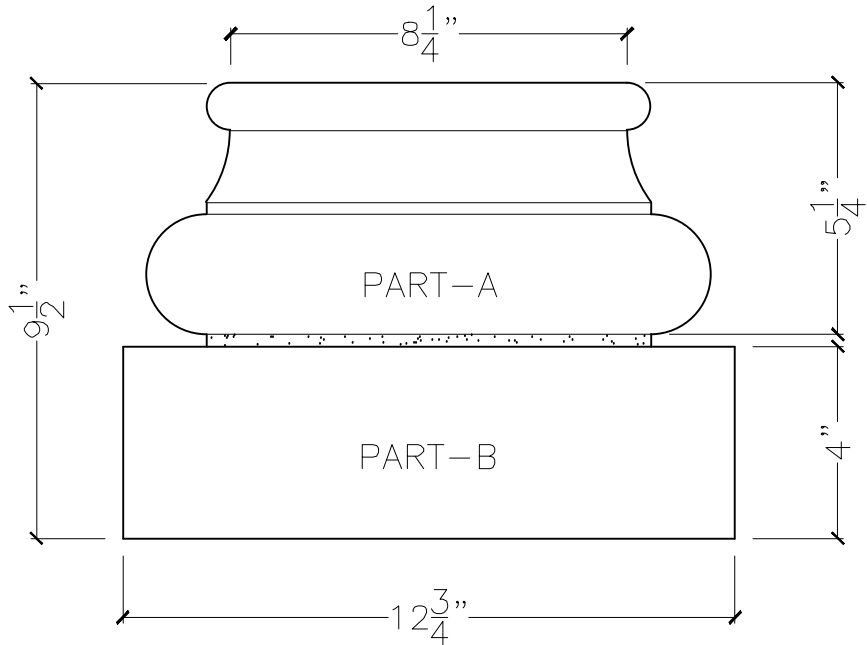
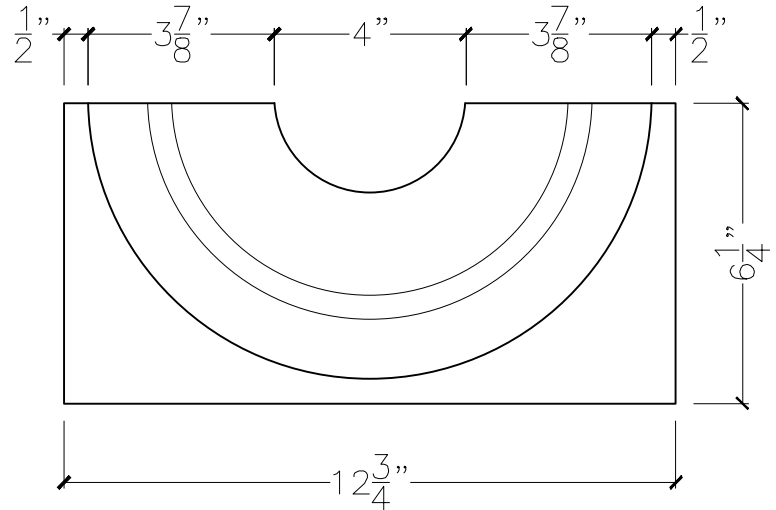


JOB:	MOLD: 8" DIA. COLUMN BASE-2
BAY#: 62-B	STONE COLOR:
DATE:	SCALE: 3"=12" NEED:



FRONT VIEW



TOP VIEW