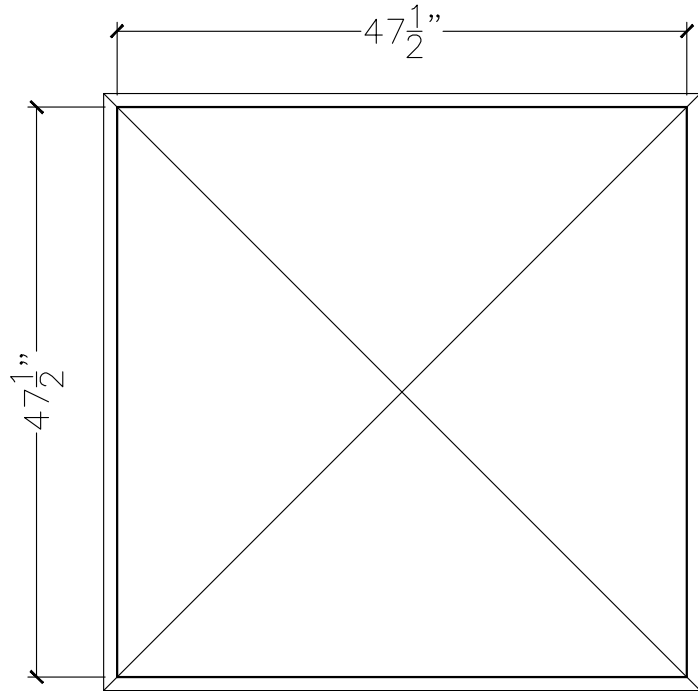
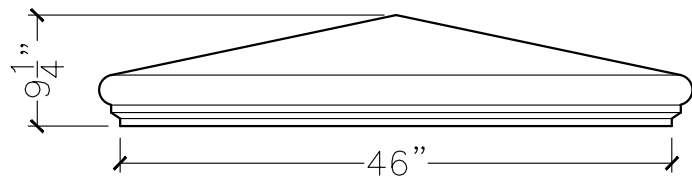


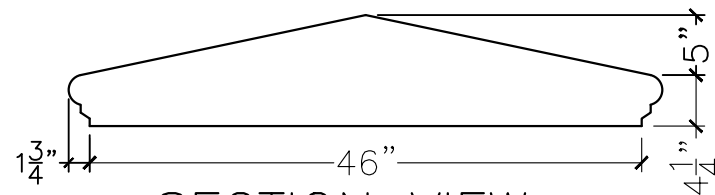
CUSTOMER:	
JOB:	MOLD: 46" x 46" CC-5
BAY# 154-B	STONE COLOR:
DATE:	SCALE: $\frac{3}{4}" = 12"$ NEED:



TOP VIEW



FRONT VIEW



SECTION VIEW