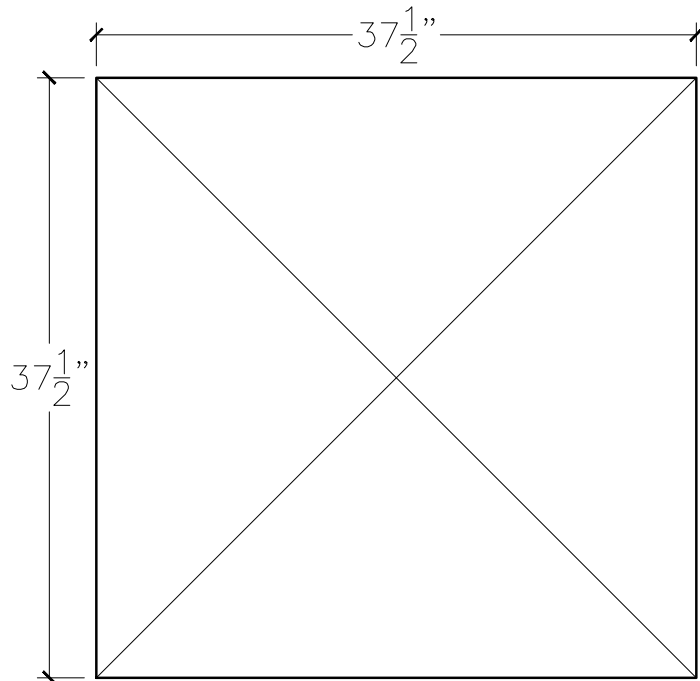
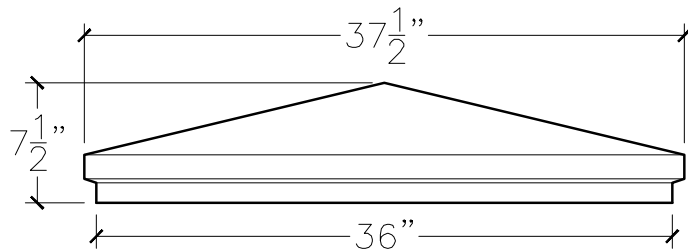


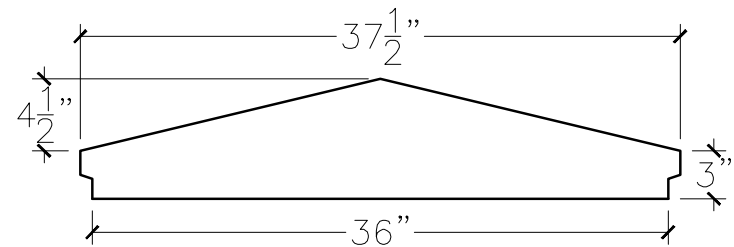
JOB:	MOLD: 36"x36" CC-2
BAY#: 268-B	STONE COLOR:
DATE:	SCALE: 1"=12" NEED:



TOP VIEW



FRONT VIEW



SECTION VIEW