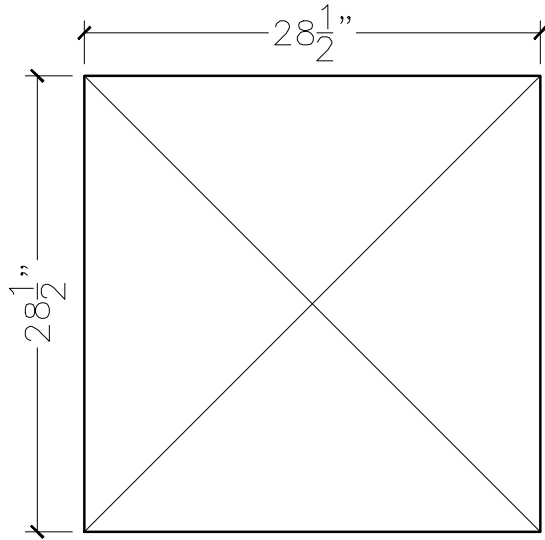
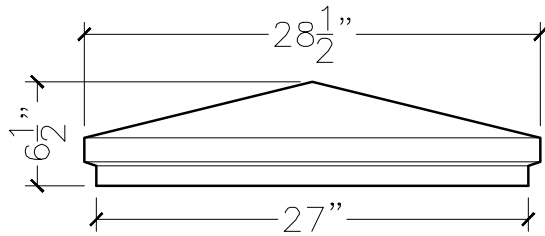


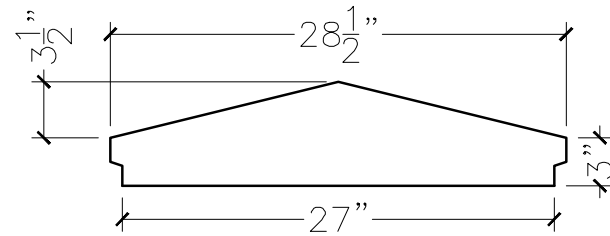
JOB:	MOLD: 27"x27" CC-2
BAY#: 279	STONE COLOR:
DATE:	SCALE: 1"=12" NEED:



TOP VIEW



FRONT VIEW



SECTION VIEW