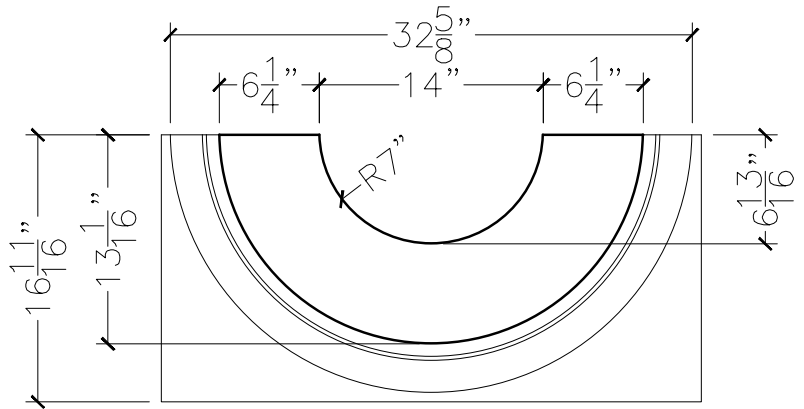
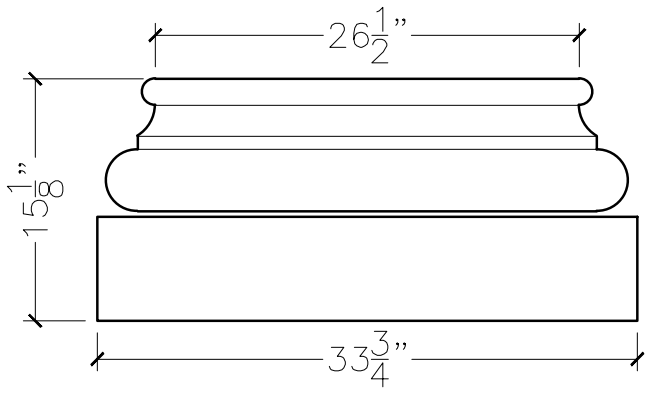


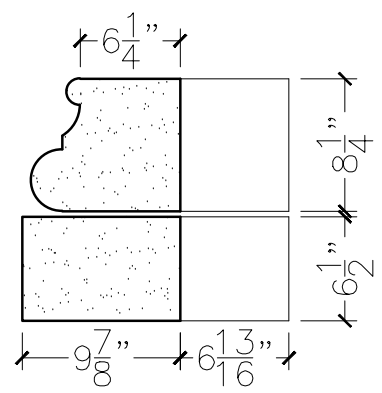
JOB:	MOLD: 26 $\frac{1}{2}$ " DIA. COLUMN BASE-2
BAY#: STORAGE BUILDING	STONE COLOR:
DATE:	SCALE: 1"=12" NEED:



TOP VIEW



FRONT VIEW



SECTION VIEW