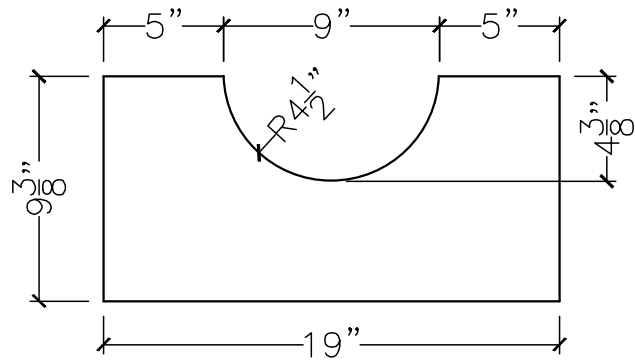
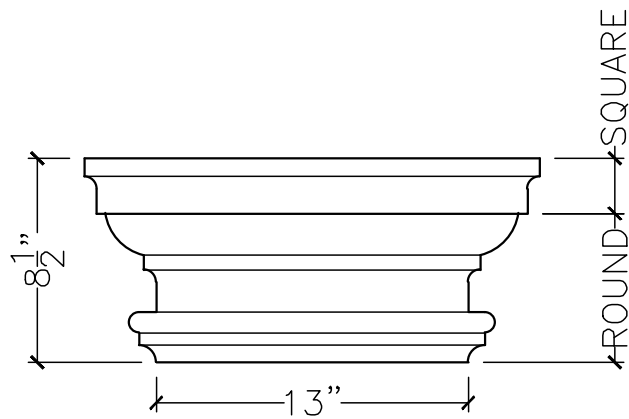


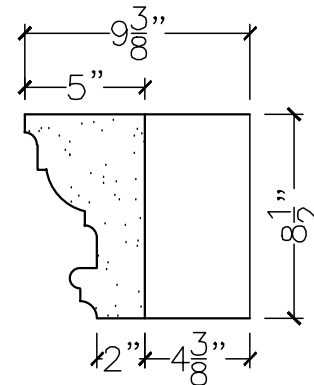
CUSTOMER:	
JOB:	MOLD: 13" DIA. TUSCAN COLUMN CAPITAL
BAY# 64-B	STONE COLOR:
DATE:	SCALE: 1 1/2" = 12" NEED:



TOP VIEW



FRONT VIEW



SECTION VIEW