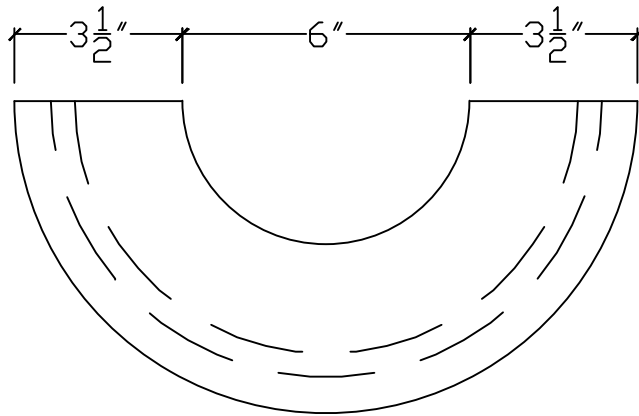
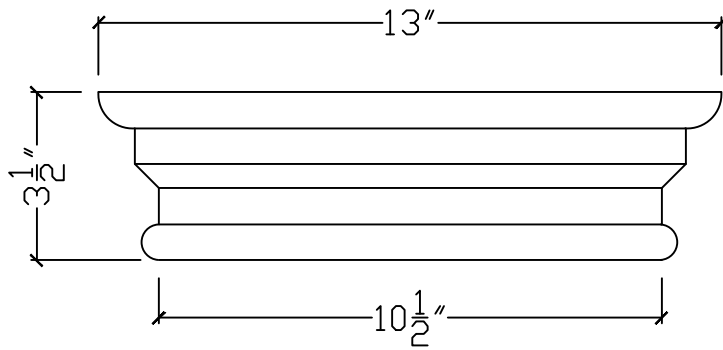


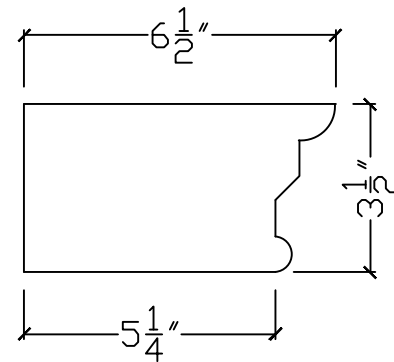
CUSTOMER:	
JOB:	MOLD: 10 $\frac{1}{2}$ " TUSCAN CAPITAL PART A
BAY#:	STONE COLOR:
DATE:	SCALE: 3"=12" NEED:



TOP VIEW



FRONT VIEW



SECTION