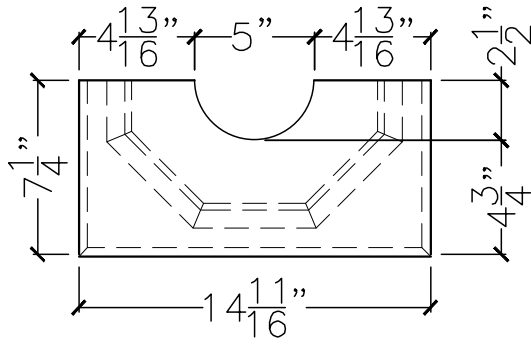
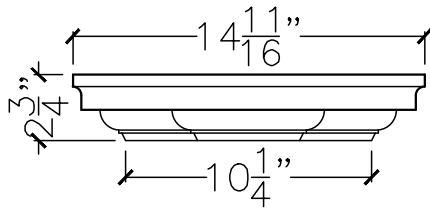


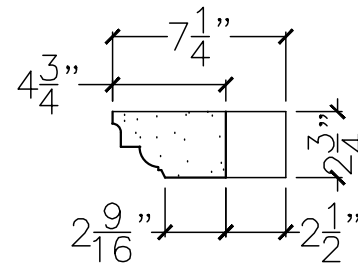
JOB:	MOLD: 10 $\frac{1}{4}$ "OCTAGONAL COLUMN CAPITAL
BAY# 268	STONE COLOR:
DATE:	SCALE: 1 $\frac{1}{2}$ "=12"      NEED:



TOP VIEW



FRONT VIEW



SECTION VIEW